

Exhaust filter



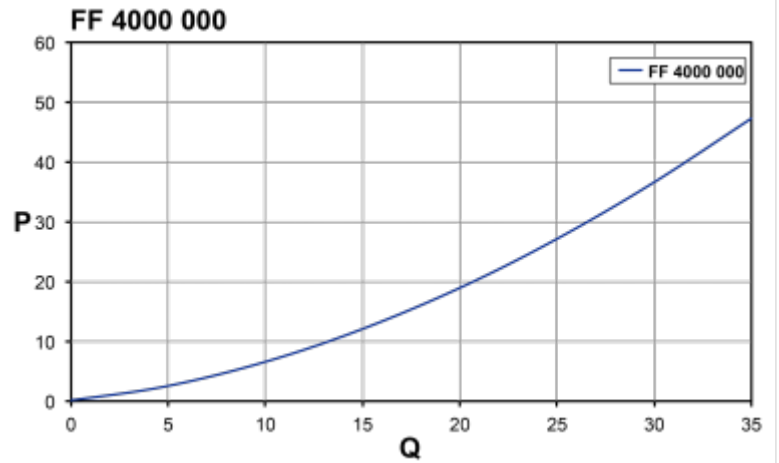
Description

Order Number:	400000000
Color:	RAL 7035
Housing Material:	ABS Plastic
Ingress protection:	NEMA 12
Optional:	# 4000 00003 black # 4000 00030 NEMA 3R # 4000 00033 black, NEMA 3R
Approvals:	CE, cULus, CSA

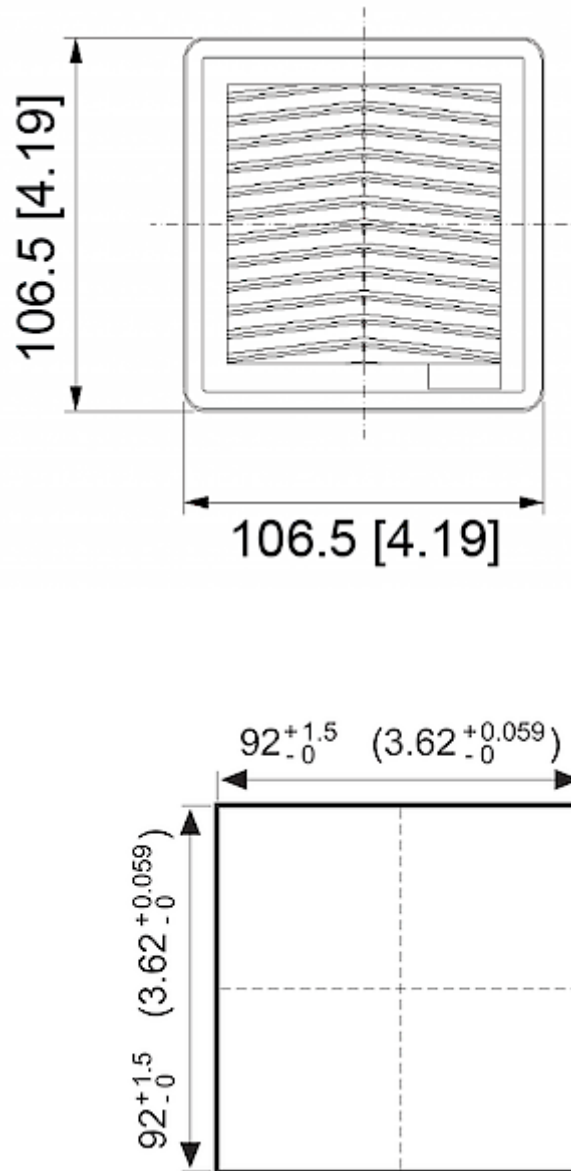
Technical data

Operating temperature range:	14°F - +131°F
Dimension H x W x D:	4.2 x 4.2 x 0.9 inch
Weight:	0.15 lbs
Cut out dimensions:	3.6 x 3.6 (+0.02) inch
Degree of separation:	85% - DIN 24185
Wall thickness:	0.04 - 0.08 inch
Filter class:	G3 according to EN 779
Installation:	Elastic clips or by 4 self-threading screws

Air flow:



Cut out dimensions:



Order Information

With NEMA 3R protection part no.	400000030
Taric code	84145915
GTIN (EAN)	5350604100008