

Filter Fan



Description

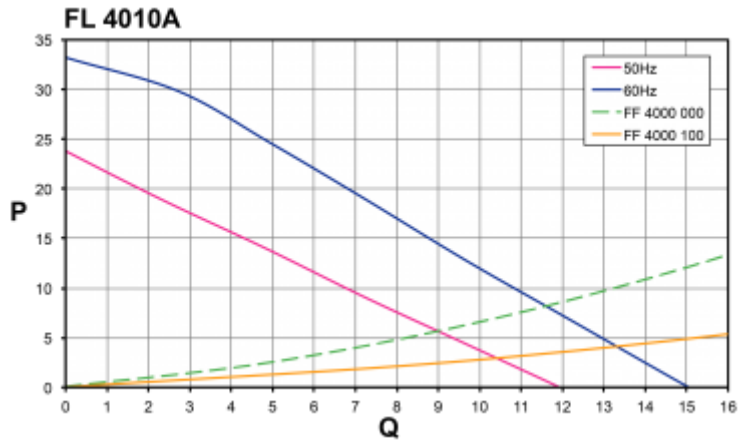
Order Number:	4010A4000
Brand Name:	SOLIFLEX
Color:	RAL 7035
Housing Material:	ABS Plastic
Ingress protection:	Type 12, 3R
Optional:	# 4010A4003 black
Approvals:	CE, cURus, cULus, CSA

Technical data

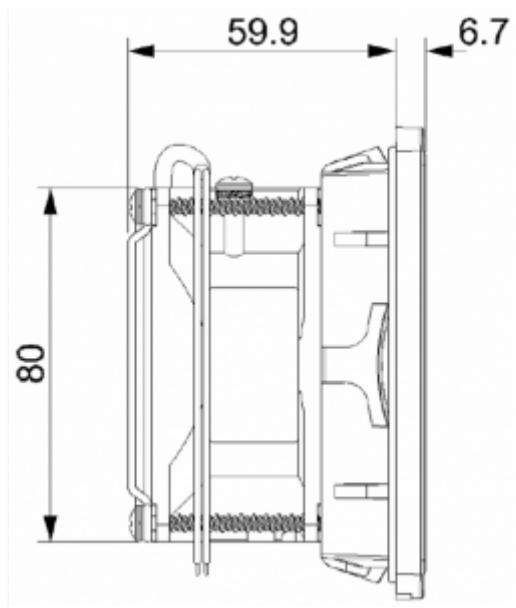
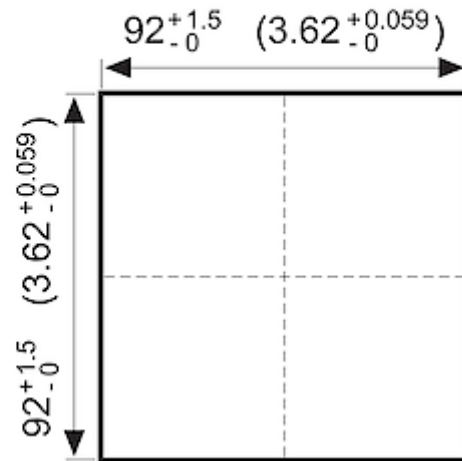
Operating temperature range:	14°F - +131°F
Air volume flow unimpeded:	7 cfm / 9 cfm
Static pressure:	0.09 inH2O @ 50 Hz 0.13 inH2O @ 60 Hz
Dimension H x W x D:	4.2 x 4.2 x 2.6 in.
Weight:	0.86 lbs
Cut out dimensions:	3.64 x 3.64 in.(+0.06)
Voltage / Frequency:	230 V ~ 50/60 Hz
Rated current:	0.06 A / 0.05 A
Power consumption:	10 W / 8 W
Degree of separation:	85% - DIN 24185
Wall thickness:	0.04 - 0.08 in.
Filter class:	G3 according to EN 779
Installation:	Elastic clips
Noise level:	31 dB(A) @ 50 Hz 33 dB(A) @ 60 Hz

Air flow:

Q = Air flow [m³/h]
 P = Static pressure [Pa]



Cut out dimensions:



Order Information

In RAL 9005	4010A4003
With NEMA 3R protection part no.	4010A4033
Taric code	84145915
GTIN (EAN)	5350604100107