

Filter Fan



Description

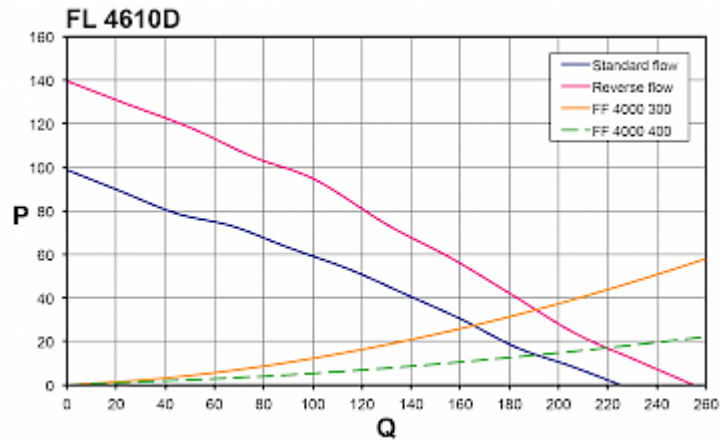
Order Number:	4610D2000
Brand Name:	SOLIFLEX
Color:	RAL 7035
Housing Material:	ABS Plastic
Ingress protection:	IP 54, Type 12, 3R
Optional:	# 4610D2003 black
Approvals:	CE, cURus, cULus, CSA

Technical data

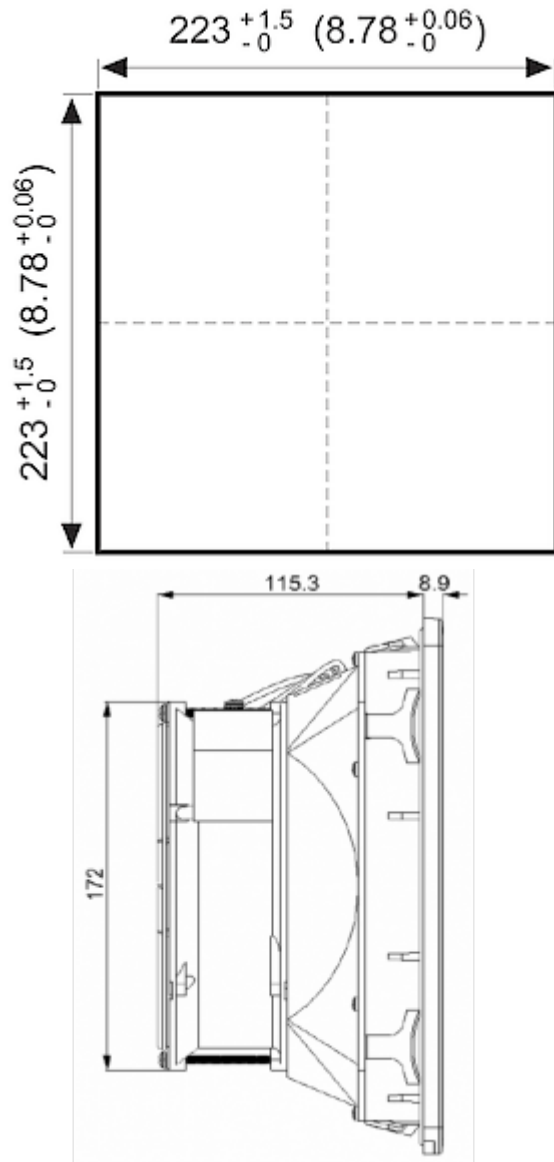
Operating temperature range:	14°F - +131°F
Air volume flow unimpeded:	132 cfm
Static pressure:	0.40 inH2O
Dimension H x W x D:	9.8 x 9.8 x 4.9 inch
Weight:	3.1 lbs
Cut out dimensions:	8.8 x 8.8 (+0.06) inch
Voltage / Frequency:	24 V DC
Rated current:	0.71 A
Power consumption:	17 W
Wall thickness:	0.06 - 0.10 in.
Filter class:	G3 according to EN 779
Installation:	Elastic clips or by 4 self-threading screws
Noise level:	58 dB(A)

Air flow:

Q = Air flow [m3/h]
P = Static pressure [Pa]



Cut out dimensions:



Order Information

IN RAL 9005	4610D2003
Taric code	84145915
GTIN (EAN)	5350604100442