

Filter Fan



Description

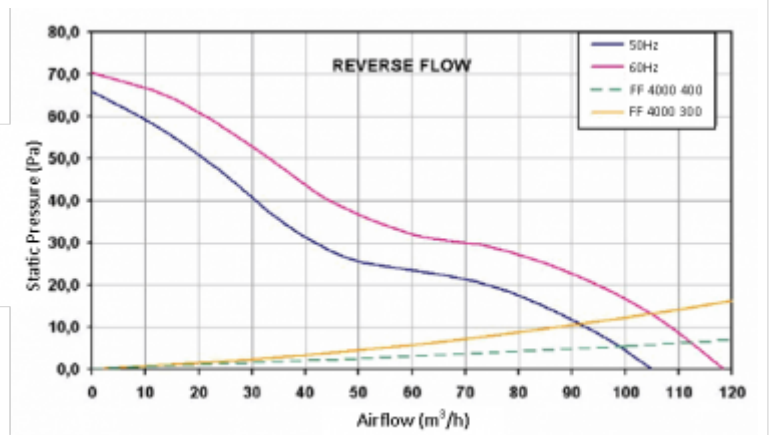
Order Number:	4621A3100
Brand Name:	SOLIFLEX
Color:	RAL 7035
Housing Material:	ABS Plastic
Ingress protection:	IP 54, Type 12, 3R
Note:	Umgekehrter Luftstrom
Optional:	Different housing colours available on request With NEMA 3R protection part no. 4621A3130
Approvals:	CE, cURus, cULus, CSA

Technical data

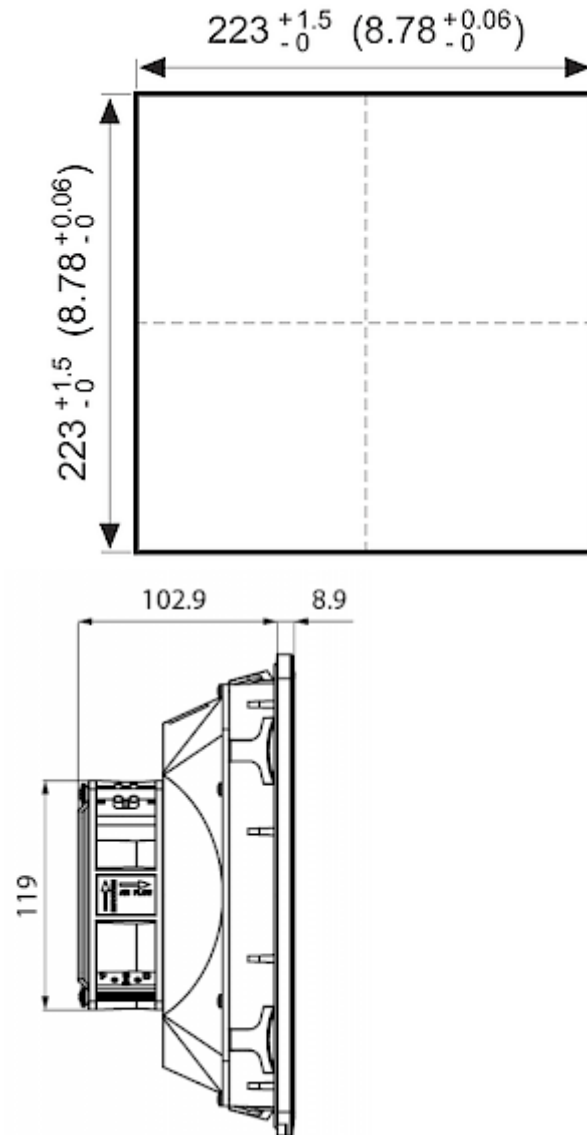
Operating temperature range:	14°F - +131°F
Air volume flow unimpeded:	71 cfm
Static pressure:	0.28 inH2O
Dimension H x W x D:	9.8 x 9.8 x 4.4 inch
Weight:	2.7 lbs
Cut out dimensions:	8.8 x 8.8 (+0.06) inch
Voltage / Frequency:	120 V ~ 60 Hz
Rated current:	0.21 A
Power consumption:	16 W
Degree of separation:	85% - DIN 24185
Wall thickness:	0.06 - 0.10 in.
Filter class:	G3 according to EN 779
Installation:	Elastic clips or by 4 self-threading screws
Noise level:	49 dB(A)

Air flow:

Q = Air flow [m³/h]
 P = Static pressure [Pa]



Cut out dimensions:



Order Information

In RAL 9005	4621A3103
Taric code	84145915
GTIN (EAN)	5350604100596