

Filter Fan



Description

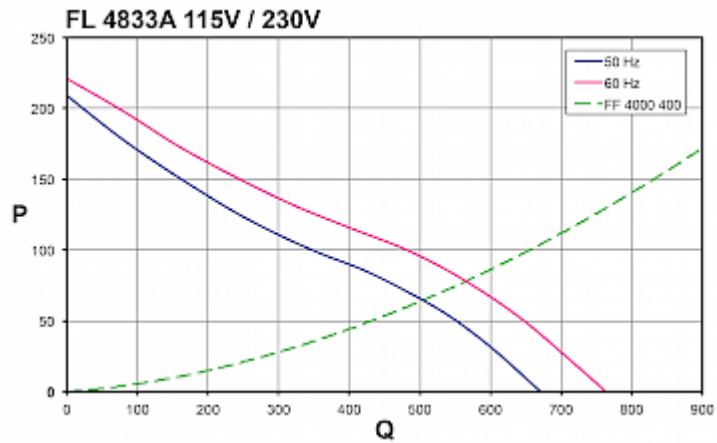
Order Number:	4833A3000
Color:	RAL 9005
Housing Material:	ABS Plastic
Ingress protection:	NEMA 12
Optional:	# 4833A3003 black # 4833A3100 reverse air flow
Approvals:	CE, cULus, CSA

Technical data

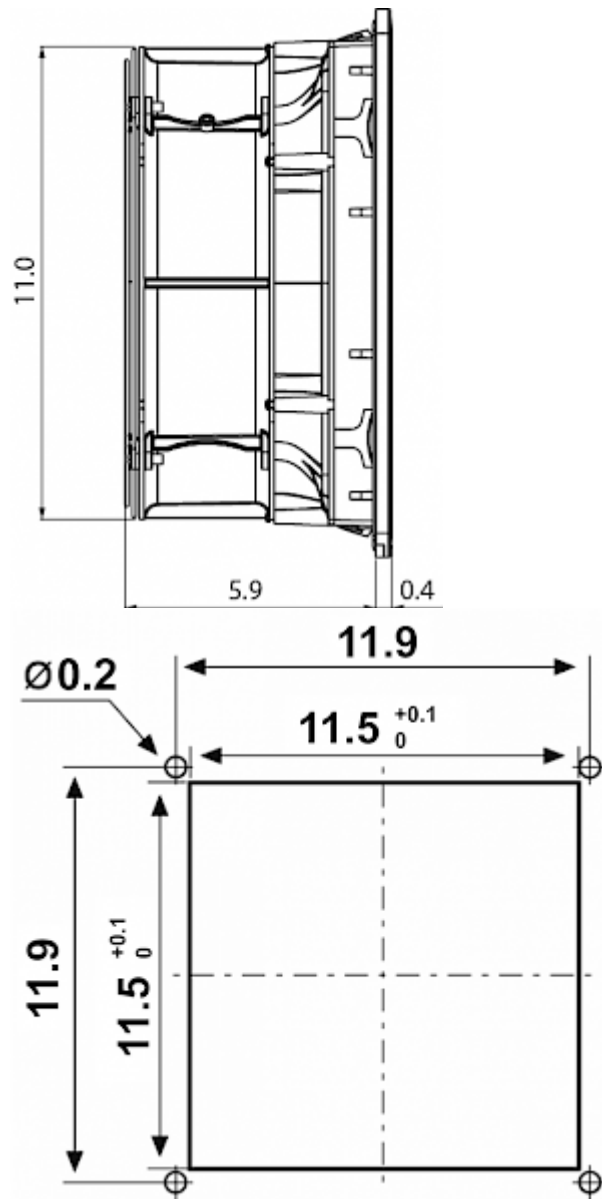
Operating temperature range:	14°F - +131°F
Air volume flow unimpeded:	447 cfm
Static pressure:	0.88 inH2O
Dimension H x W x D:	12.8 x 12.8 x 6.3 inch
Weight:	9.4 lbs
Cut out dimensions:	11.5 x 11.5 (+0.06) inch
Voltage / Frequency:	120 V ~ 60 Hz
Rated current:	1.84 A
Power consumption:	215 W
Degree of separation:	85% - DIN 24185
Wall thickness:	0.06 - 0.10 in.
Filter class:	G3 according to EN 779
Installation:	Elastic clips or by 4 self-threading screws
Noise level:	78.9 dB(A)

Air flow:

Q = Air flow [m³/h]
 P = Static pressure [Pa]



Cut out dimensions:



Order Information

With NEMA 3R protection part no.	4833A3030
Taric code	84145915
GTIN (EAN)	5350604100664