

Roof Filter Fan



Description

Order Number:	6060A4000
Color:	RAL 7035
Housing Material:	ABS Plastic
Ingress protection:	NEMA 12
Approvals:	CE, cURus

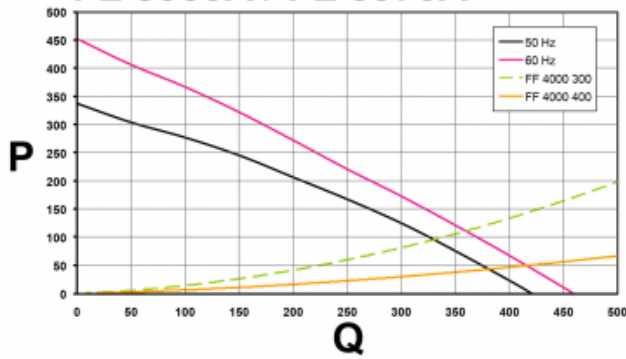
Technical data

Operating temperature range:	14°F - +131°F
Air volume flow unimpeded:	247 cfm / 288 cfm
Static pressure:	1.36 inH2O @ 50Hz 1.93 inH2O @ 60Hz
Mounting:	top mounted
Dimension H x W x D:	12.8 x 12.8 x 3.7 inch
Weight:	4.6 lbs
Cut out dimensions:	6.9 x 6.9 inch
Voltage / Frequency:	230 V ~ 50/60 Hz
Rated current:	0.31 A / 0.36 A
Power consumption:	70 W / 81 W
Degree of separation:	85% - DIN 24185
Filter class:	G3 according to EN 779
Installation:	4 x Ø 16 mm screws for thermoplastic material
Noise level:	67.9 dB(A) @ 50Hz 71 dB(A) @ 60 Hz

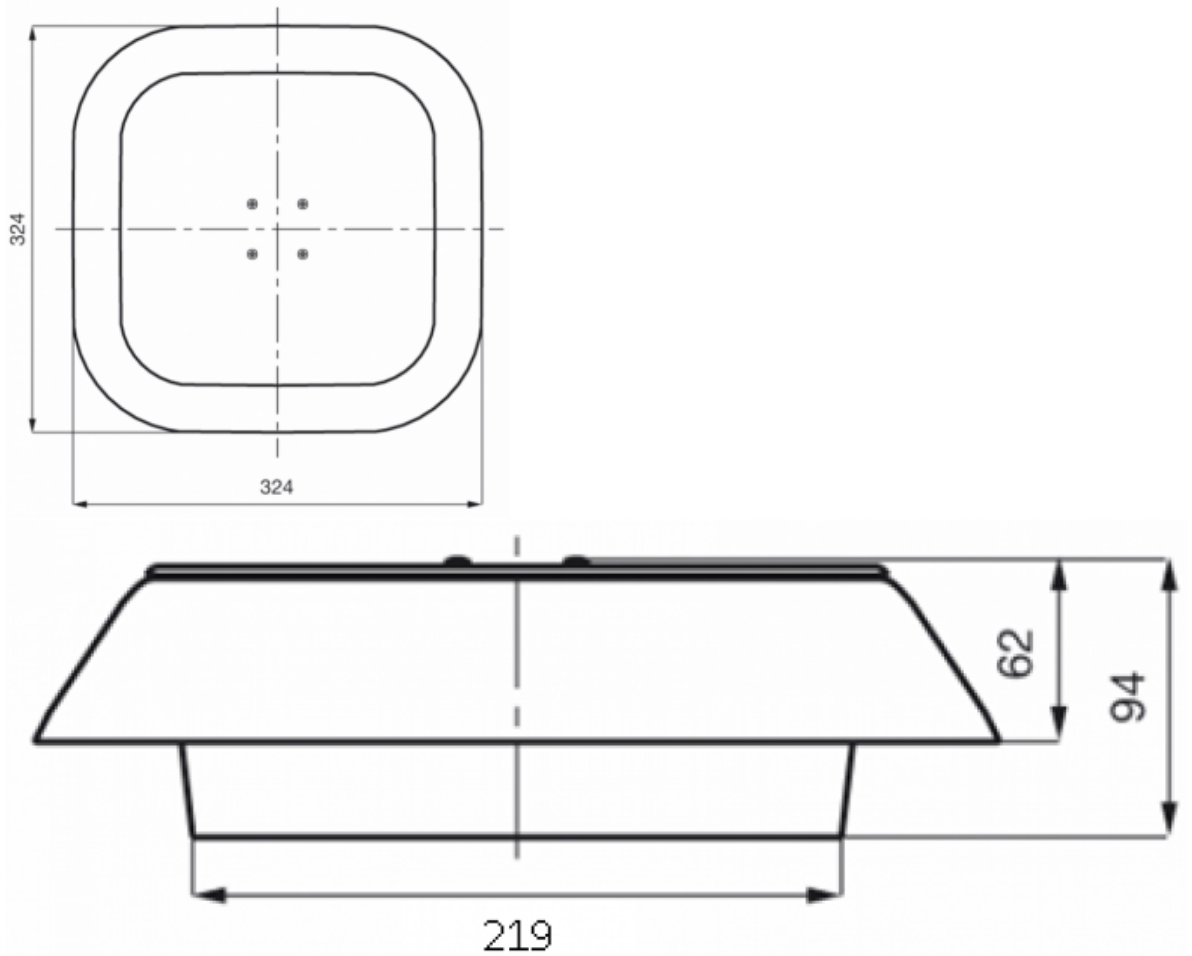
Air flow:

Q = Air flow
[m³/h]
P = Static
pressure [Pa]

FL 6060A / FL 6070A



Cut out dimensions:



Order Information

Taric code	84145915
GTIN (EAN)	5350604100893