

## Table of Content 3200305

|   |    |
|---|----|
| <b>1. User manual</b> .....                                 | 2  |
| <b>2. Legal regulations</b> .....                           | 3  |
| <b>3. Safety instructions</b> .....                         | 4  |
| <b>4. Application</b> .....                                 | 5  |
| <b>5. Functional principle</b> .....                        | 5  |
| <b>6. Technical data</b> .....                              | 6  |
| <b>7. Performance graph</b> .....                           | 7  |
| <b>8. Mounting</b> .....                                    | 8  |
| <b>9. Condensate management</b> .....                       | 8  |
| <b>10. Mounting Principle</b> .....                         | 8  |
| <b>11. Cut Out Dimension</b> .....                          | 10 |
| <b>12. Dimension (H x W x D)</b> .....                      | 11 |
| <b>13. Electrical Connection</b> .....                      | 12 |
| <b>14. Wiring Diagram</b> .....                             | 13 |
| <b>15. Taking into Operation</b> .....                      | 14 |
| <b>16. Trouble Shooting</b> .....                           | 14 |
| <b>17. Maintenance &amp; Cleaning</b> .....                 | 14 |
| <b>18. Maintenance</b> .....                                | 14 |
| <b>19. Transport &amp; Storage</b> .....                    | 15 |
| <b>20. Parts supplied / Spare parts / Accessories</b> ..... | 16 |



# 1. User manual

This instruction manual contains information and instructions to enable the user to work safely, correctly and economically on the unit. Understanding and adhering to the manual can help one:

- Avoid any dangers.
- Reduce repair costs and stoppages.
- Extend and improve the reliability and working life of the unit.

**PLEASE ENSURE TO USE THE RIGHT VERSION OF THE INSTRUCTION MANUAL SUITABLE FOR YOUR UNIT.**

## Intended use

The unit is to be used exclusively for the dissipation of heat from control cabinets and enclosures (stationary, not moving) in order to protect temperature sensitive components in an industrial environment. To meet the conditions of use, all the information and instructions in the instruction manual must be adhered to.



### General danger

Indicates compulsory safety regulations which are not covered by a specific pictogram such as one of the following.



### High electric voltage

Indicates electric shock danger.



### Important safety instruction

Indicates instructions for safe maintenance and operation of the unit.



### Attention

Indicates possible burns from hot components.



### Attention

Indicates possible damage to the unit.



### Instruction

Indicates possible danger to the environment.

## 2. Legal regulations

### Liability

The information, data and instructions contained in this instruction manual are current at the time of going to press. We reserve the right to make technical changes to the unit in the course of its development. Therefore, no claims can be accepted for previously delivered units based on the information, diagrams or descriptions contained in this manual. No liability can be accepted for damage and production caused by:

- Disregarding the instruction manual
- Operating error
- Inappropriate work on or with the unit
- The use of non-specified spare parts and accessories
- Unauthorised modifications or changes to the unit by the user or his personnel

The supplier is only liable for errors and omissions as outlined in the guarantee conditions contained in the main contractual agreement. Claims for damages on any grounds are excluded.

### 3. Safety instructions

Upon delivery the unit is already meeting current technical standards and can therefore be safely taken into operation. Only authorised personnel is allowed to work on the unit. Unauthorised personnel must be prohibited from working on the unit. Operating personnel must inform their superiors immediately of any malfunction of the unit.

Please note that before starting to work on or with the unit, a procedure must be carried out inside the cabinet on which the unit is to be mounted.

Before commencing work inside the cabinet, the control cabinet manufacturer's instruction must be read with regards to:

- Safety instructions.
- Instructions on taking the cabinet out of operation.
- Instructions on the prevention of unauthorised cabinet reconnection.

The electric equipment meets the valid safety regulations. One can find dangerous voltages (above 50 V AC or above 100 V DC)

- Behind the control cabinet doors.
- On the power supply in the unit housing.

The unit has to be operated according to the type plate and the wiring diagram, and must be protected externally from overloading and electrical faults via suitable protective devices.



#### **Danger through incorrect work on the unit**

The unit can only be installed and maintained by technical competent and qualified personnel, using only supplied material according to the supplied instructions.



#### **Danger from electrical voltage**

Only specialised personnel are allowed to maintain and clean the unit. The personnel must ensure that for the duration of the maintenance and cleaning, the unit is disconnected from the electrical supply.



#### **Attention**

Damage to the unit through the use of inappropriate cleaning materials. Please do not use aggressive cleaning material.



#### **Instruction**

Damage to the environment through unauthorised disposal. All spare parts and associated material must be disposed according to the environmental laws.

## 4. Application

Peltier cooling units are intended to be used as a complementary accessory to larger industrial equipment. They are used where heat needs to be dissipated from electrical control cabinets or similar enclosures in order to protect heat sensitive components.

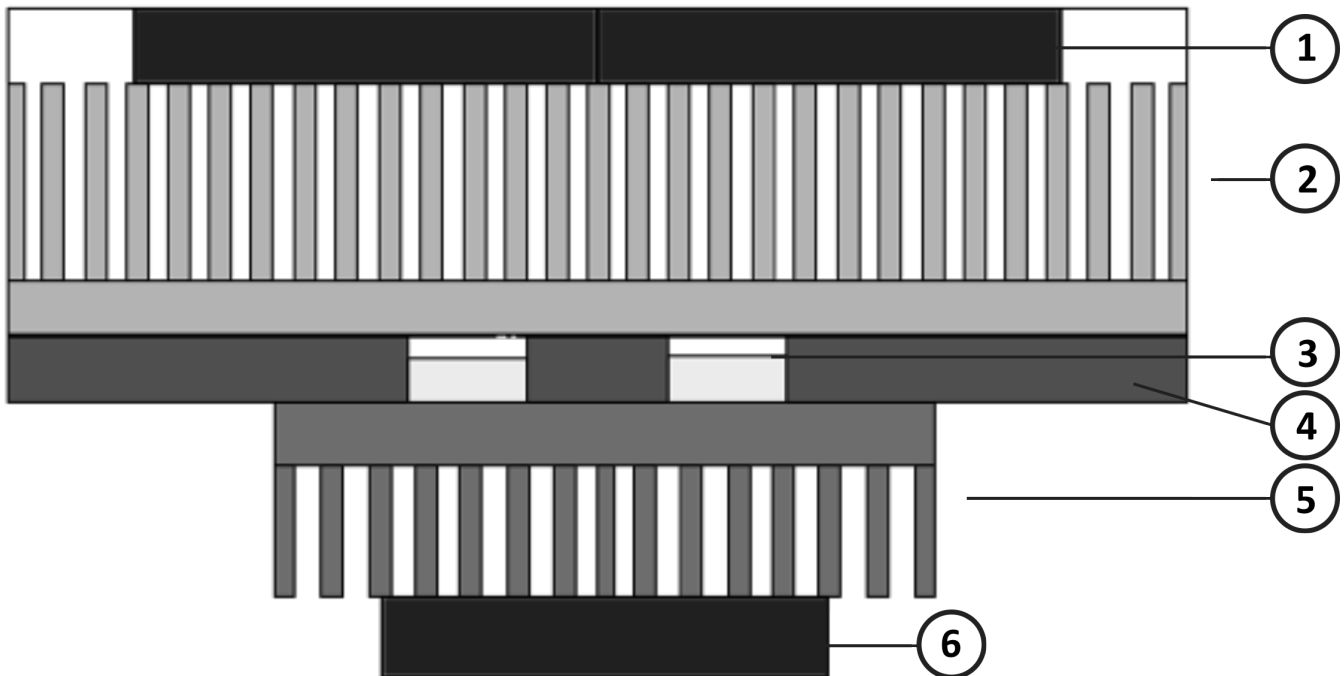
Peltier cooling units can dissipate heat from sealed enclosures such as control cabinets. At the same time they can reduce the cabinet internal temperature to below the ambient air temperature. They are available in powder-coated sheet steel or stainless steel housings. Peltier units have additional heating function by changing the supply polarity of the thermoelectric elements. This is possible by using a combination of thermostats or having a specific polarity controller.

Peltier air conditioners are resistant to extreme ambient conditions and can operate effectively even in environments which are dusty and oily and where temperatures may vary from -20°C to +65°C. For the cooling capacities and environmental ratings please refer to the type plate data.

## 5. Functional principle

The thermoelectric elements create a temperature difference between the internal and ambient heat sinks, making internal air cooler while dissipating heat into the external environment. Fans help the transfer of convective heat from the heat sinks, which are optimized for maximum flow. Peltier units be mounted in any position because these units don't have a compressor and no moving parts.

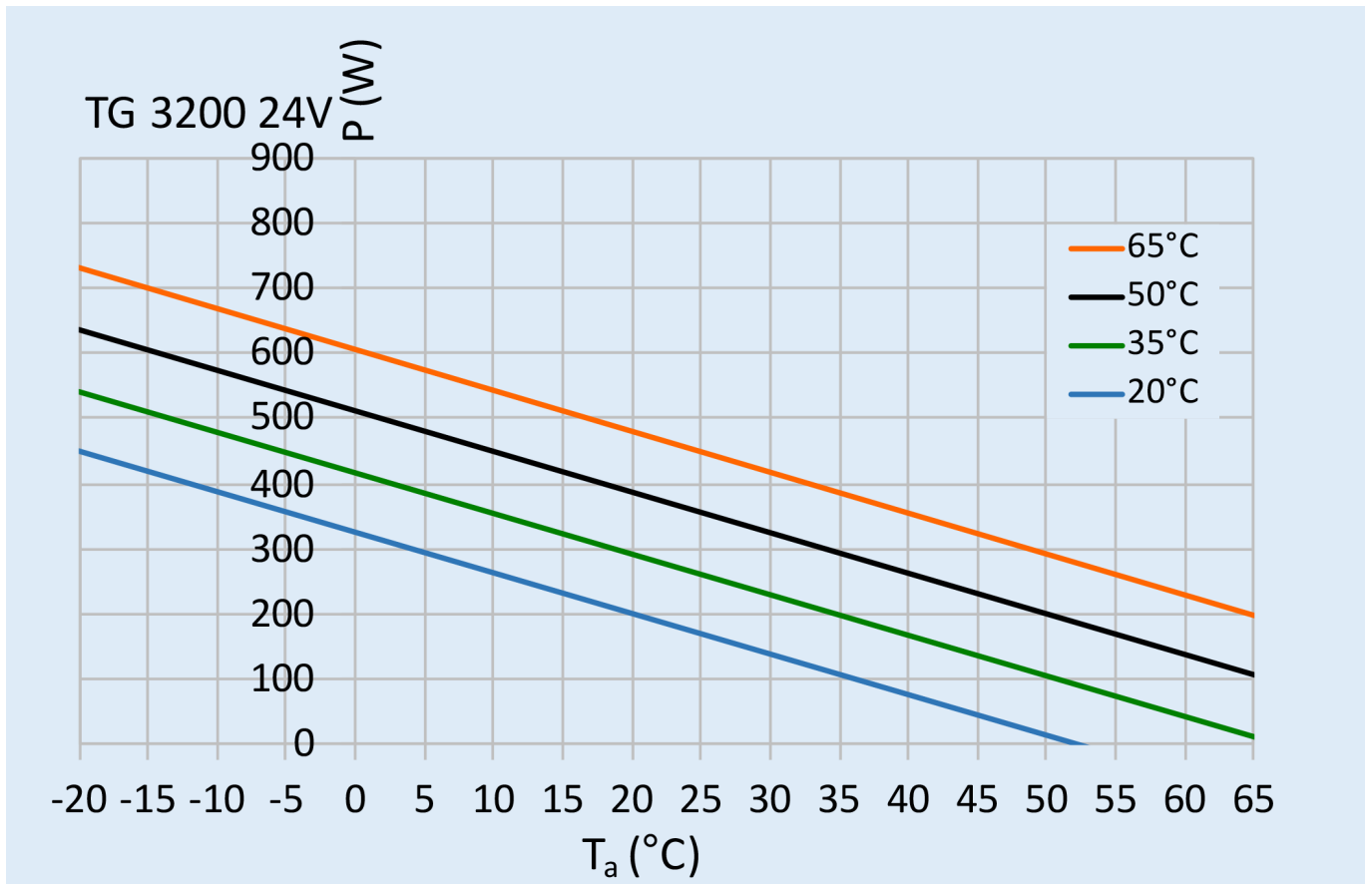
1. Ambient fans
2. Ambient heat sinks
3. Thermoelectric elements
4. Insulation
5. Internal heat sink
6. Internal fan



## 6. Technical data

|   |  |
|---|--|
| <b>Order Number</b>                         | 3200305  |
| <b>Cooling capacity L35L35</b>              | 200 W  |
| <b>Operating Temperature Range</b>          | -20°C - 70°C   |
| <b>UL temperature range</b>                 | -20°C - 65°C   |
| <b>Air flow volume (system / unimpeded)</b> | Ambient air circuit: 120 / 260 m <sup>3</sup> /h<br>Cabinet air circuit: 120 / 260 m <sup>3</sup> /h |
| <b>Mounting</b>                             | Wall mounted (with frame)  |
| <b>Housing Material</b>                     | Stainless steel AISI 304 (V2A)   |
| <b>Dimensions A x B x C (D+E)</b>           | 500 x 188 x 172 mm   |
| <b>Weight</b>                               | 13.7 kg  |
| <b>Cut out dimensions</b>                   | 469 x 155 mm   |
| <b>Voltage / Frequency</b>                  | 24 V DC  |
| <b>Current L35L35</b>                       | 11.3 A   |
| <b>Starting current</b>                     | 16.9 A   |
| <b>Max. current</b>                         | 12.9 A   |
| <b>Nominal power L35L35</b>                 | 270 W  |
| <b>Max. power</b>                           | 311 W  |
| <b>Fuse</b>                                 | 18 A (T)   |
| <b>Connection</b>                           | Connection terminal block  |
| <b>Ingress Protection</b>                   | IP 66 / UL Type 12, 4, 4X  |
| <b>Approvals</b>                            | CE, cURus  |

## 7. Performance graph



## 8. Mounting



*Always switch off power supply before starting any work on the unit.*

### Installation

Ensure that flows of air leaving and entering the cooling unit, internal and external, are not obstructed. Before drilling the enclosure, ensure the fixing elements and couplings will not interfere with the equipment inside the enclosure itself. When all mounting preparations are complete the actual mounting operation can commence. Only use the enclosed material to mount the unit on the cabinet.

Proceed as follows to mount the unit on the cabinet:

- Set the unit up on the cabinet.
- Ensure that the electrical connection is above the internal fan.
- Unit without duct: screw the M5 or M6 locknuts & washers into the M5 or M6 set screws in the unit.
- Unit with duct: screw the M5 or M6 screws & washers into the M5 or M6 threaded rivets in the unit.

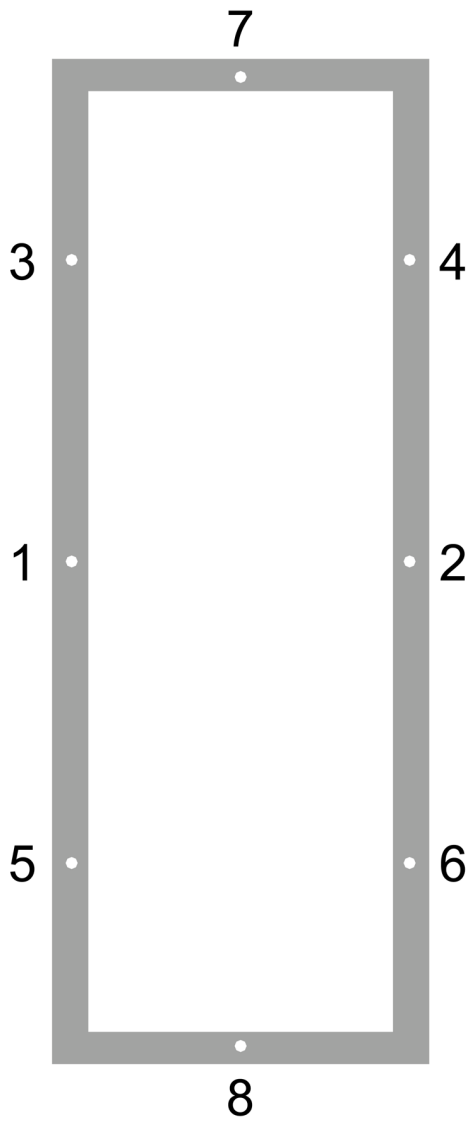
The resistance of the earth connection between the enclosure and cooling unit must be  $<0.1\Omega$ .

## 9. Condensate management

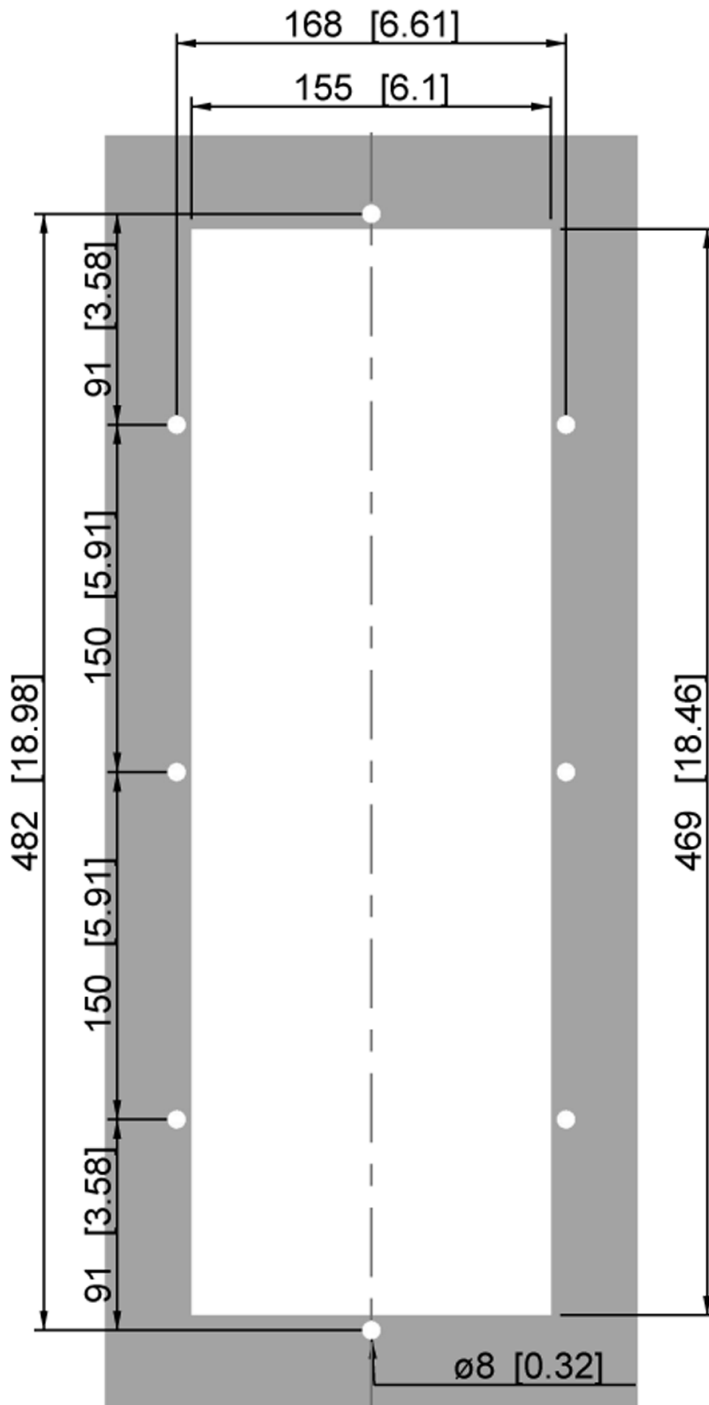
## 10. Mounting Principle

In order to maintain the stated protection ratings, the tightening torque for this unit should be 4.5 Nm and needs to follow the below sequence.

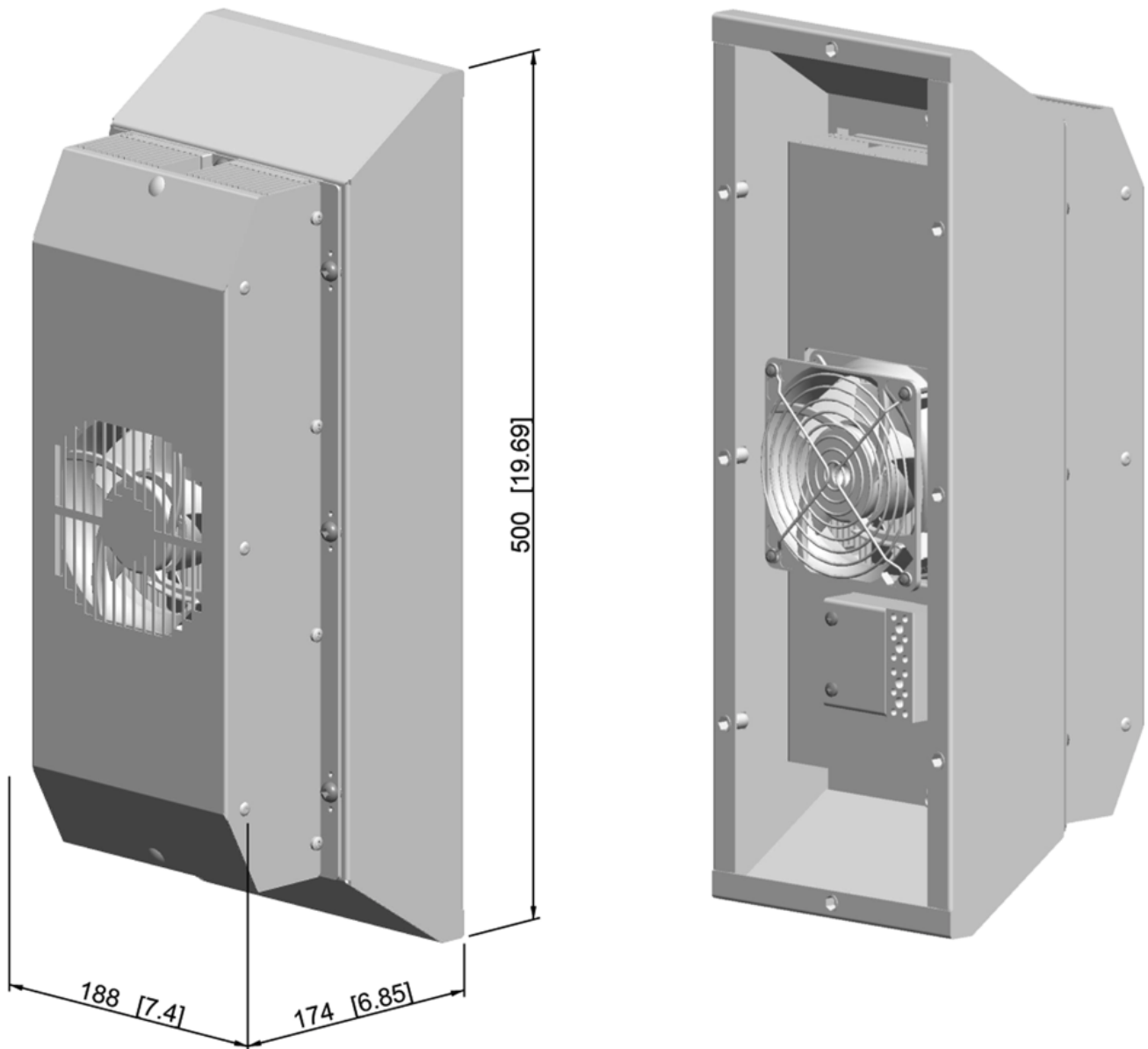




## 11. Cut Out Dimension



## 12. Dimension (H x W x D)



## 13. Electrical Connection



*High electric voltage present. Installation, maintenance, cleaning and any other work must be carried out by qualified personnel only. The personnel must ensure that for the duration of this work the unit and the cabinet are disconnected from the electrical supply and protected against unauthorised/accidental reconnection.*

**Instruction:** Check that the available voltage, frequency and fuse rating are the same as those stated on the unit data label.

### Connection to the main electricity supply

The mains connection is made via a cable. To connect the unit to the mains supply proceed as follows:

- Disconnect the control cabinet from the mains.
- See the connection details on the circuit diagram.
- Note the connections on the four pole terminal block from the following table.

#### Terminal 24 V DC



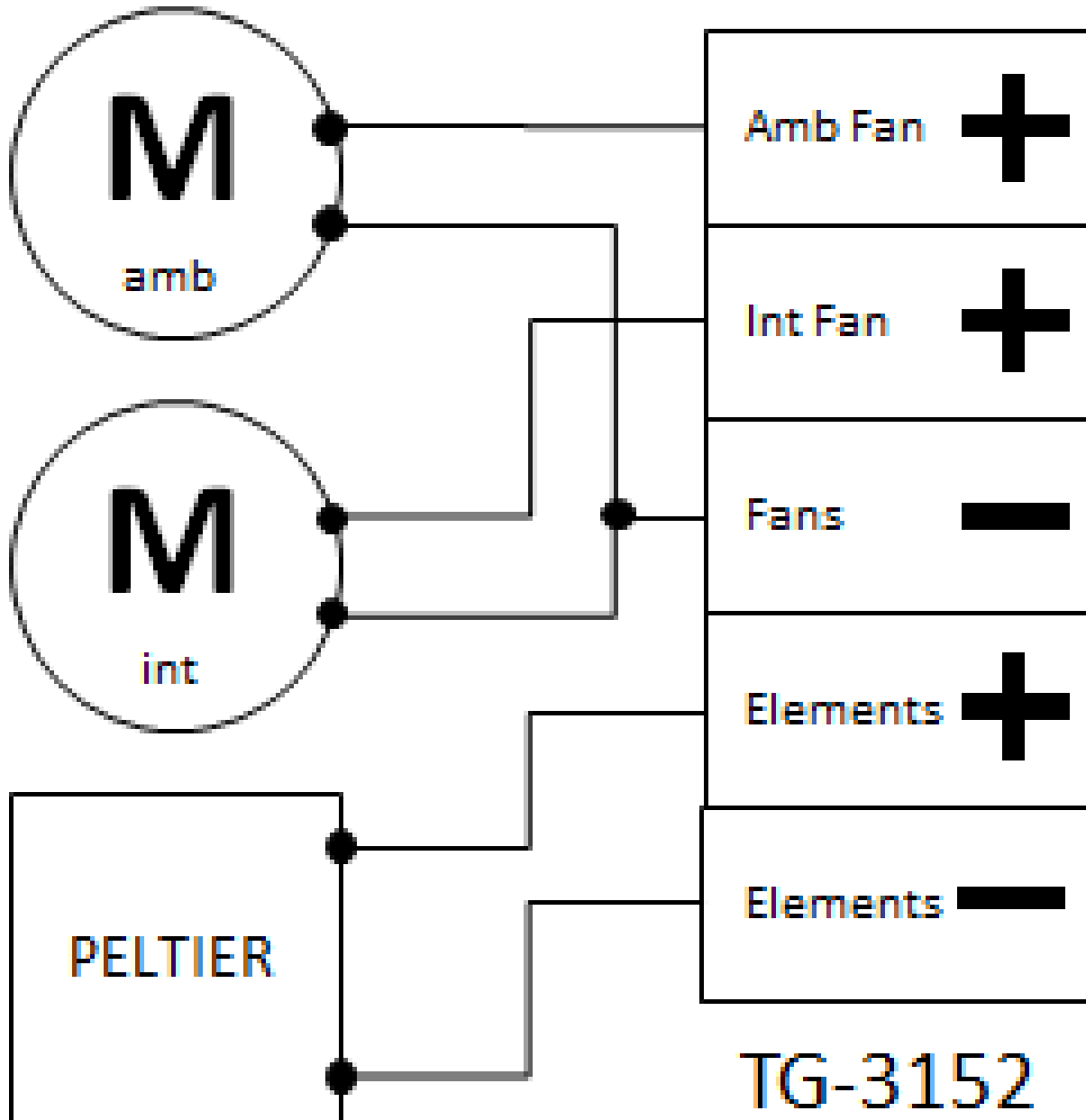
|   |                           |
|---|---------------------------|
| 1 | Ambient Fan +             |
| 2 | Ambient Fan -             |
| 3 | Internal Fan +            |
| 4 | Internal Fan -            |
| 5 | Thermoelectric Elements + |
| 6 | Thermoelectric Elements - |

- Connect the unit to the mains.
- Take the control cabinet back into operation in the prescribed manner.

Power consumption and start-up current are stated on the data label and under technical data.

## 14. Wiring Diagram

Internal fan must operate continuously. Ambient fan and thermoelectric elements must be controlled simultaneously by a thermostat (or similar temperature controller).



TG-3152

TG-3200

## 15. Taking into Operation



*The power supply rating on the rating plate must comply with mains supply*



*Always disconnect the power supply before opening the unit.*

Heat load to be dissipated from enclosure should not exceed specific cooling output of the unit at any condition. While selecting a cooling unit always cater for a safety margin of at least 15% extra cooling output. The Peltier - elements should be controlled by a suitable thermostat. Models TG 6XXX with 100 - 230 V supply have already a controller integrated.

## 16. Trouble Shooting

In case of a fault please contact your nearest servicing office. A list of service partners can be found on our website [www.seifertsystems.com](http://www.seifertsystems.com)

## 17. Maintenance & Cleaning



*Always switch off power supply before starting any work on the unit. Only qualified personal may conduct any maintenance work on the cooling unit.*

All Peltier units are virtually maintenance-free and no filters which need to be cleaned or replaced. Check the ambient heat sinks from time to time. In case they are dirty proceed as following:

- Disconnect the enclosure from the mains.
- Clean the heat sink profile as required by blowing it out with compressed air.
- In cases of extreme pollution wet cleaning is required.



*The unit must be removed from the control cabinet for wet cleaning*

Should a wet cleaning be necessary proceed as following:

- Disconnect the whole plant from the mains.
- Remove the unit from the cabinet.
- Ensure that the seals are not damaged.
- Wash the heat sink with an environmentally safe cleaning fluid.



*Danger to the environment through unauthorized disposal.*

### Disposal

Dispose of cooling unit and used parts with due regard for the environment and in accordance with environmental laws and regulations.

## 18. Maintenance

**Note:** Only use original replacement parts when repairing the unit. This ensures that the unit functions perfectly and remains safe.

**Fan replacement:** The average working life of the fan is ca. 40,000 hours under normal conditions. Should a fan replacement be necessary proceed as following:

- Disconnect the unit from the mains.
- Remove the unit cover.
- Remove the screws from the relevant fan.
- Mount a new fan.



***Damage to the unit through incorrect work.***

*Make sure that the cabinet fan or the ambient fan are not misplaced in the unit as they are different. Ensure that the correct polarity is maintained.*

- Replace the 4 fan fixing screws.
- Close the unit and take it back into operation.

## 19. Transport & Storage

During transport and storage, the cooling unit must be kept in the position marked on the box and at a temperature between -40°C and 70°C and a relative humidity of max. 95% (at 25°C). In case of damaged packaging after transport or in-house handling, we recommend controlling the unit for any internal damages.

## 20. Parts supplied / Spare parts / Accessories

| Description        | QTY | Image   |
|--------------------|-----|---|
| Instruction manual | 1   |   |
| CE Declaration     | 1   |   |
| M6*16 screw        | 8   |  |
| Nylon washer       | 8   |   |

### Accessories:

| Description                       | Order no.               |
|-----------------------------------|-------------------------|
| Condensate Kit 3152/3200          | <a href="#">1002303</a> |
| Door switch contact               | <a href="#">3100001</a> |
| Bimetallic temperature controller | <a href="#">7800000</a> |
| Electronic thermostat 24 V DC     | <a href="#">301510</a>  |

|  |   |   |   |   |  |  |
|--|---|---|---|---|--|--|
| <b>Seifert Systems GmbH</b><br>Albert-Einstein-Str. 3<br>42477 Radevormwald<br>Germany<br>Tel.+49 2195 68994-0<br>info.de@seifertsystems.com | <b>Seifert Systems Ltd.</b><br>HF09/10<br>Hal-Far Industrial Estate<br>Birzebbuga, BBG 3000<br>Malta<br>Tel.+356 2220 7000<br>info@seifertsystems.com | <b>Seifert Systems AG</b><br>Wilerstrasse 16<br>4563 Gerlafingen<br>Switzerland<br>Tel.+41 32 675 35 51<br>info.ch@seifertsystems.com | <b>Seifert Systems GmbH</b><br>Bärnthäl 1<br>4901 Ottnang<br>Austria<br>Tel.+43 7676 20712 0<br>info.at@seifertsystem.com | <b>Seifert Systems Ltd.</b><br>Rep. Office<br>26100 Cremona<br>Italy<br>Tel.+39 349 259 4524<br>info@seifertsystems.com | <b>Seifert Systems Inc.</b><br>75 Circuit Drive<br>North Kingstown<br>RI 02852<br>USA<br>Tel.+1 401-294-6960<br>info.us@seifertsystems.com | <b>Seifert Systems Pty Ltd.</b><br>105 Lewis Road<br>Wantirna South<br>3152 Victoria<br>Australia<br>Tel.+61 3 98 01 19 06<br>info@seifertsystems.com.au |
|--|---|---|---|---|--|--|